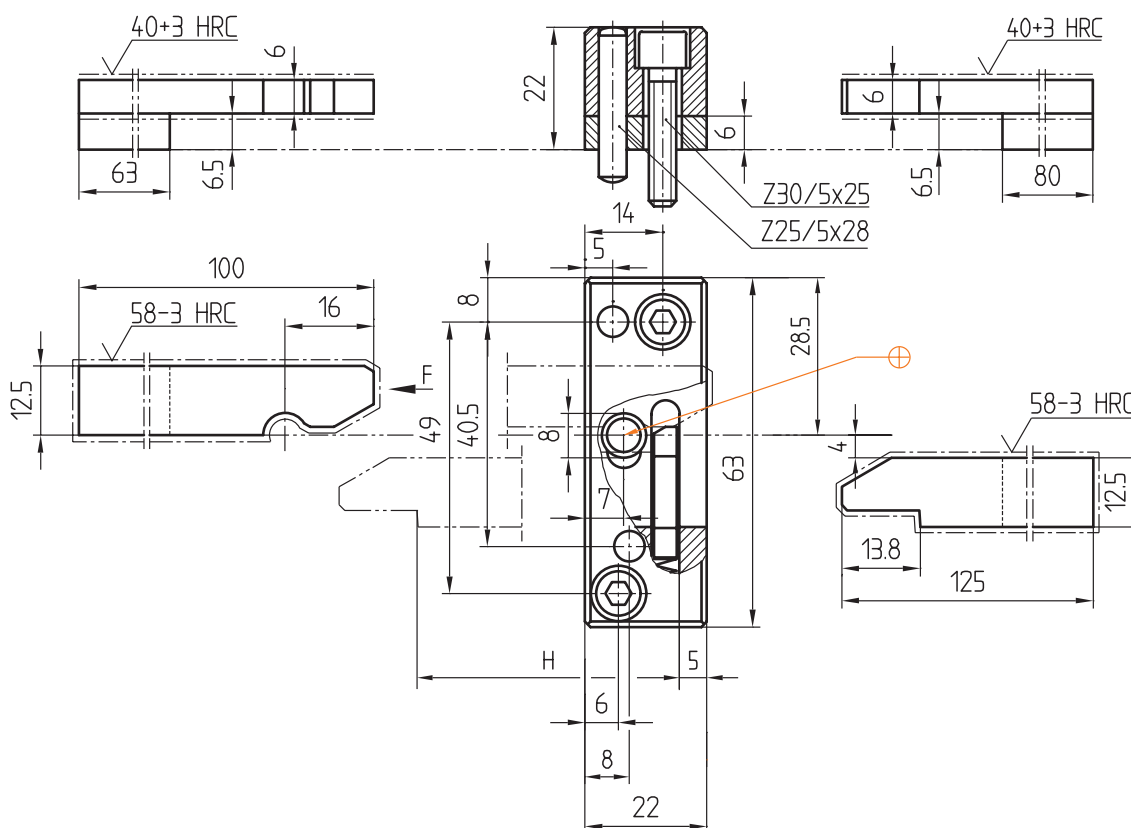
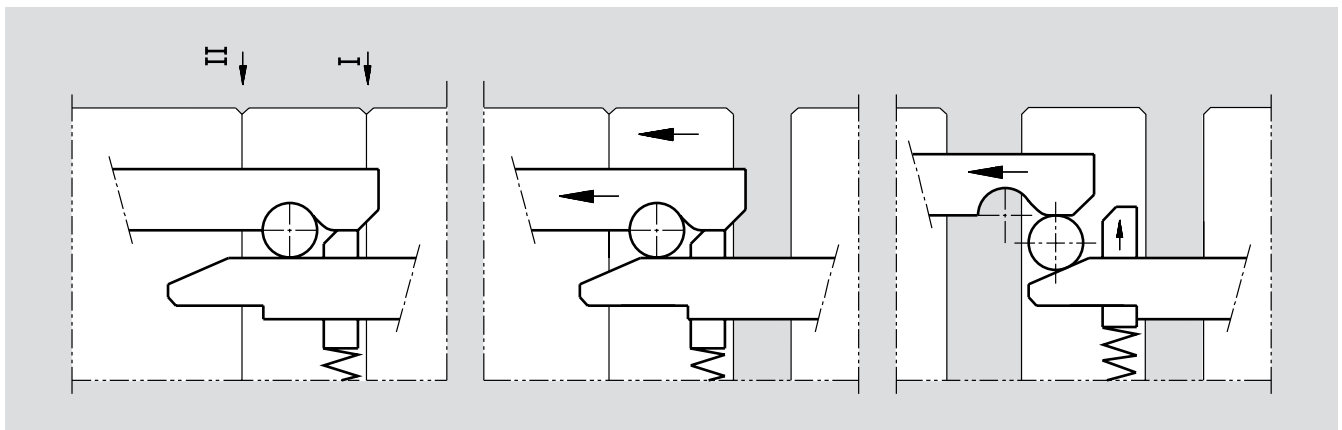


Z170/1

Mat.: 1.2764



► Info



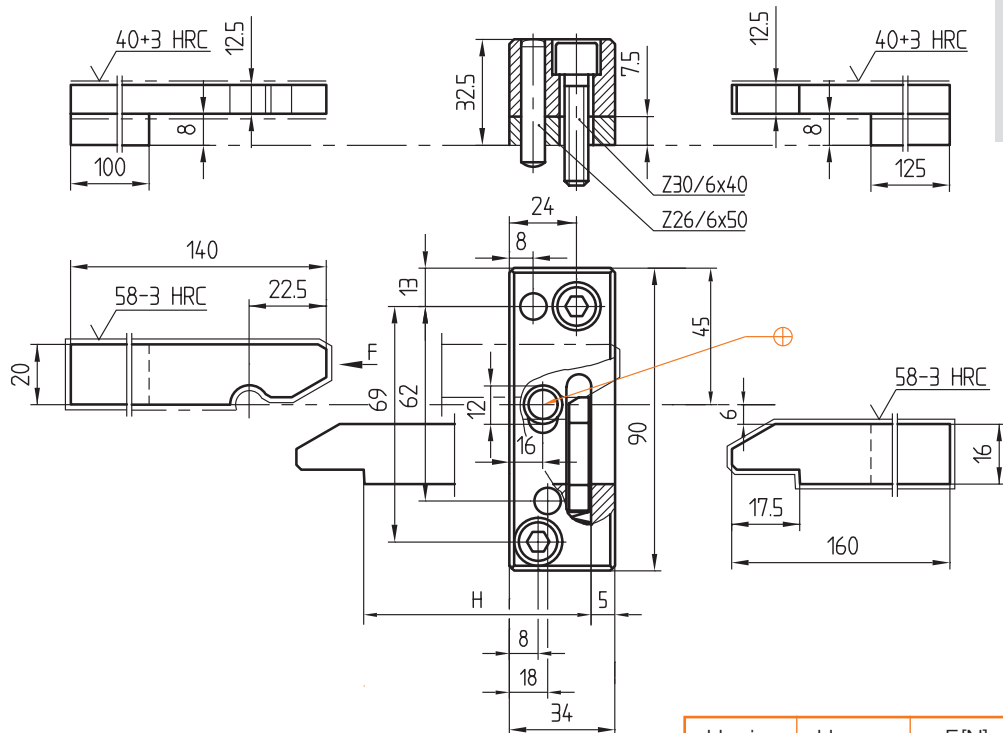
H = Hub / Stroke / Course

H min.	H max.	F [N]	Typ	Nr./No.
5,5	80	8000	1	Z170/1

This is trial version  
www.adultpdf.com

### Z170/2

Mat.: 1.2764



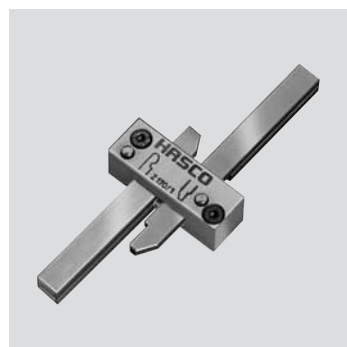
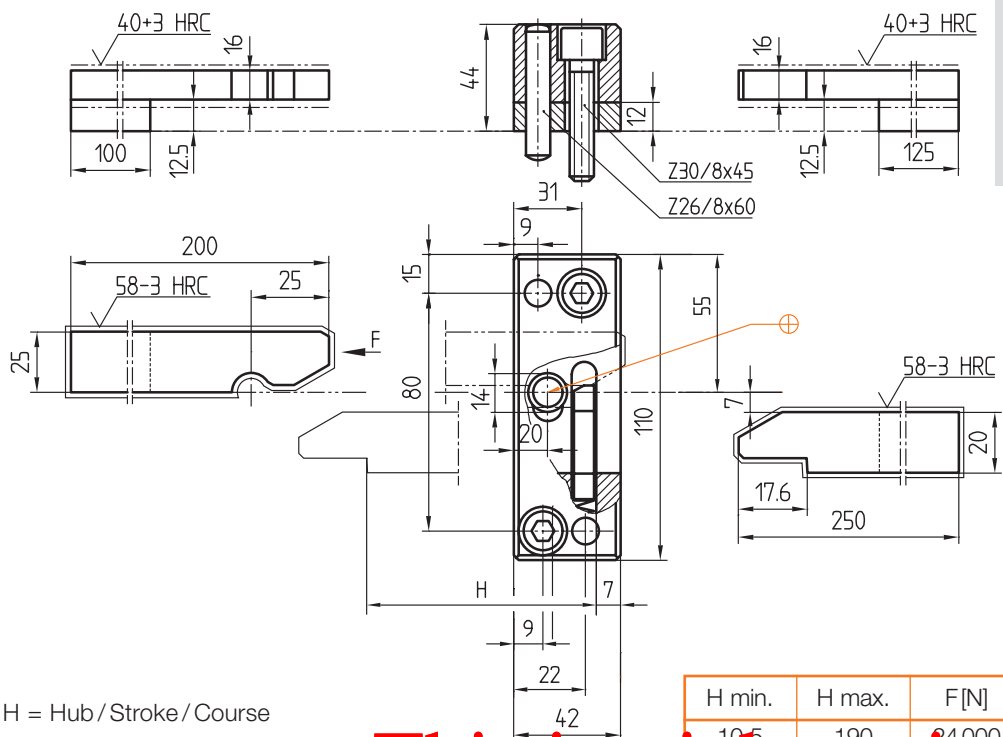
► Info

H = Hub / Stroke / Course

H min.	H max.	F [N]	Typ	Nr./No.
9,5	110	14000	<b>2</b>	Z170/2

### Z170/3

Mat.: 1.2764



► Info

H = Hub / Stroke / Course

H min.	H max.	F [N]	Typ	Nr./No.
10,5	190	24000	<b>3</b>	Z170/3

This is trial version  
www.adultpdf.com